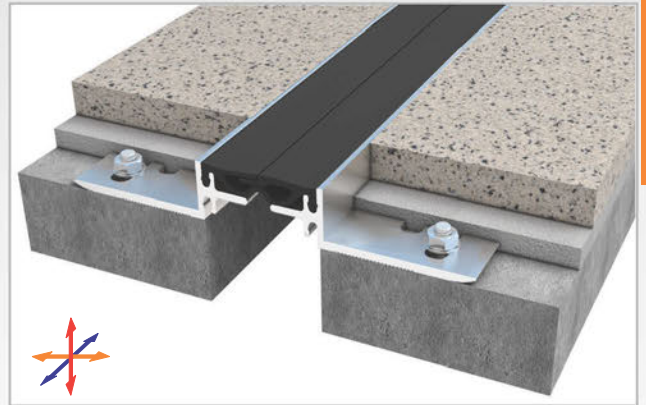
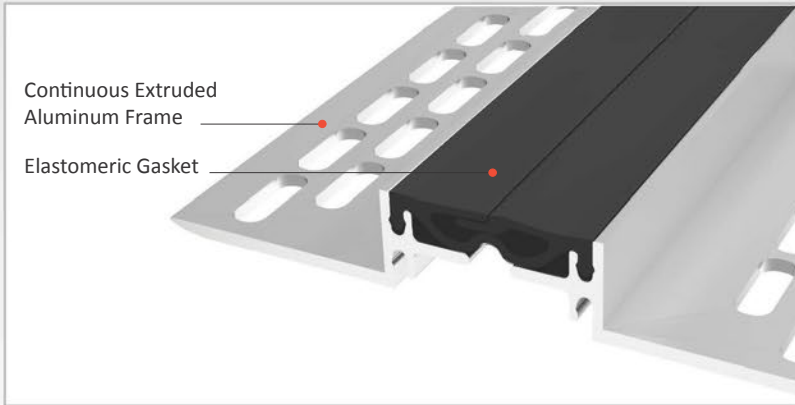
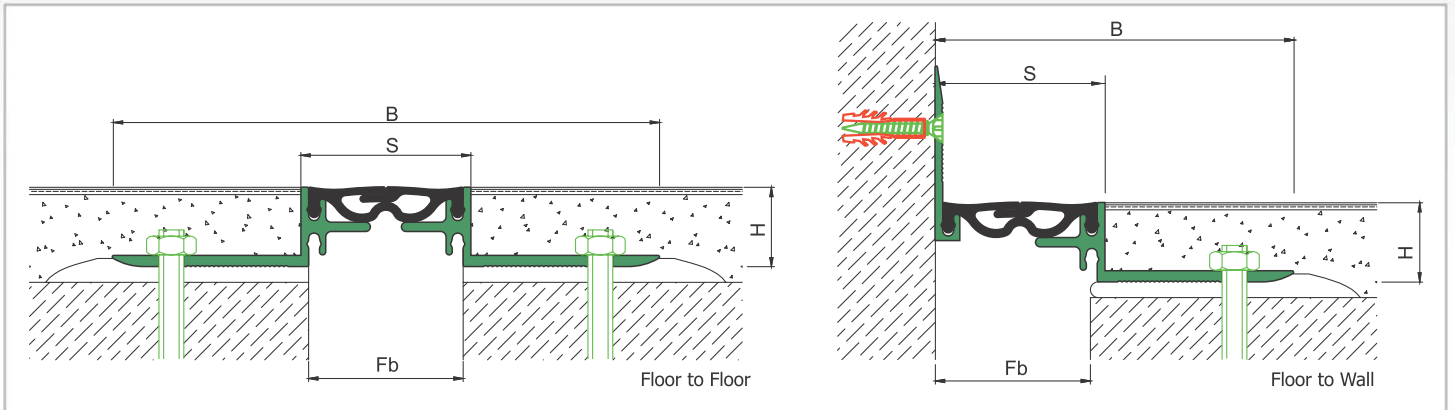


AS A208 flush mounted profile is applicable to all types of floors and load bearing capacity is designed for cars. Push-down gasket can quickly be placed into the slot and can be changed in a very easy way, if it's needed. Special gasket design gains the profile high movement ability and prevents accumulation of dirt. Two-way designed gasket slot lets the profile to applied surface or flush mounted. Profiles are applied with single or double gaskets depending on the joint width and can be installed in an easy, quick and secured way due to punched base frame.

- Application Areas** : Indoor & Outdoor / Floor
- Ideal for** : Car Parks, Shopping Malls, Airports, Residences, Hospitals, Hotels, Commercial & Public Buildings etc.
- Material** : Mill Finish Aluminum (Anodizing optional), TPE Gasket
- Aluminum Alloy** : 6063 AA-USA / EN AW 6063
- Optional Supplies** : Fire Barrier, Waterproof EPDM membrane



FLOOR

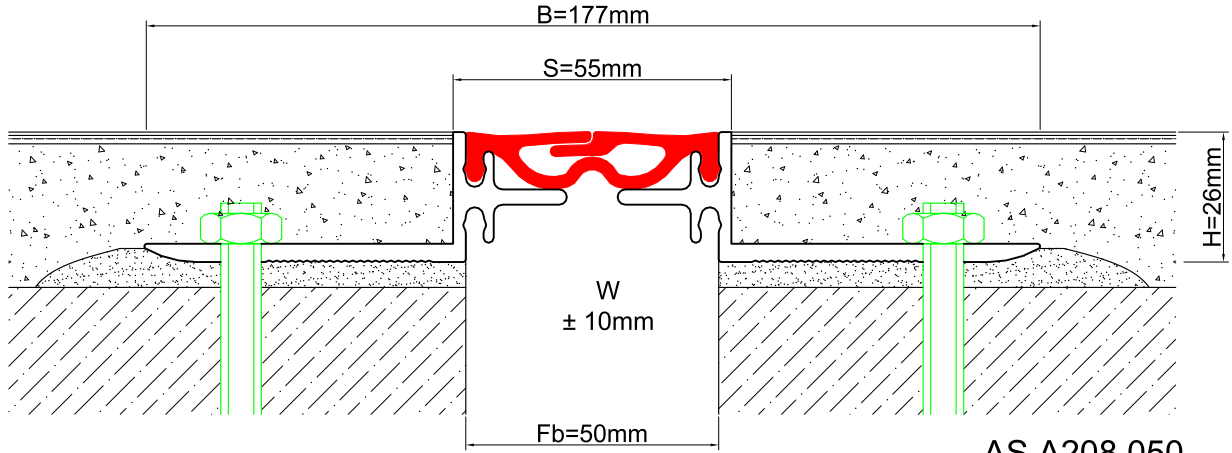
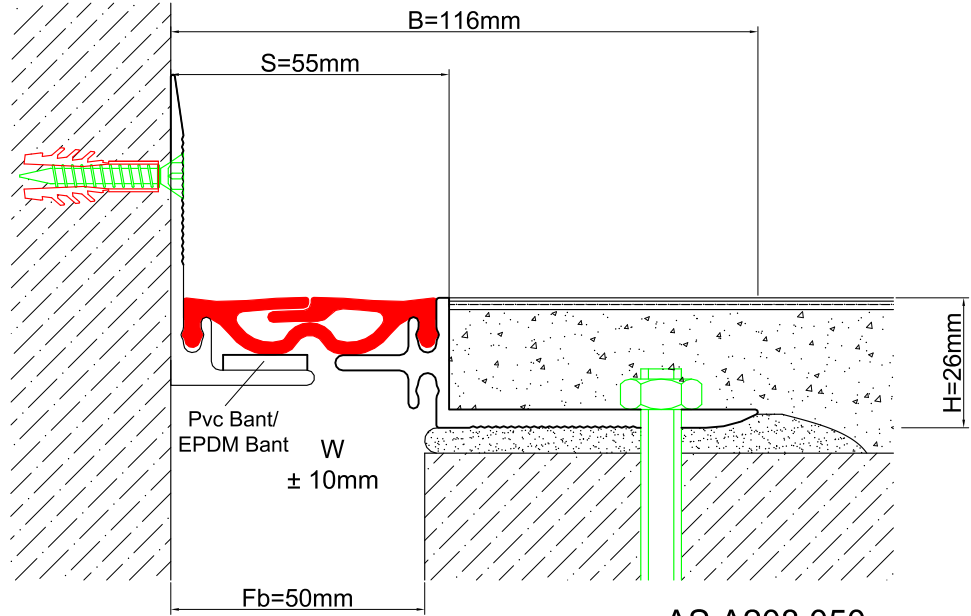


* Visuals are representative and the profile configuration may differ depending on the characteristics requested.

GASKET COLORS: BLACK GREY BEIGE Custom Colors available.

LOCATION	MODEL	GAP (Fb) mm	HEIGHT (H) MM	OVERALL WIDTH (B) mm	VISIBLE WIDTH (S) mm	MOVEMENT (W) mm	LOAD CAPACITY	STANDARD LENGTH (mt)
Floor to Floor	AS A208-050	50	26	177	55	± 10		3
	AS A208-075	75	32	202	80	± 17		3
	AS A208-100	100	32	229	107	+12 / -20		3

Note: Please ask for different sizes


 AS A208 050
 H26D

 AS A208 050
 H26KD

Profil No Profile Number	AS A208 050	AS A208 050K
Fb (mm)	50	50
H (mm) yaklaşık approx.	26	26
W± (mm) yaklaşık approx.	± 10	± 10
Renk Color	Alüminyum: Natürel, Fitiller: Siyah, gri, diğer Aluminum: Natural, Inserts: Black, grey, others	
Malzeme Material	Alüminyum, Termoplastik Kauçuk Aluminum, Thermoplastic Rubber	
Standart Uzunluk (m) Standard Length (m)	3	
Yükleme Kapasitesi Load - Bearing Capacity	